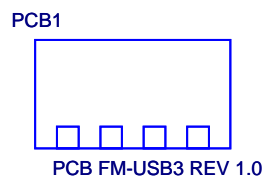
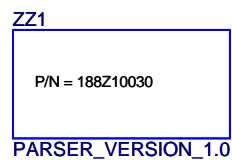

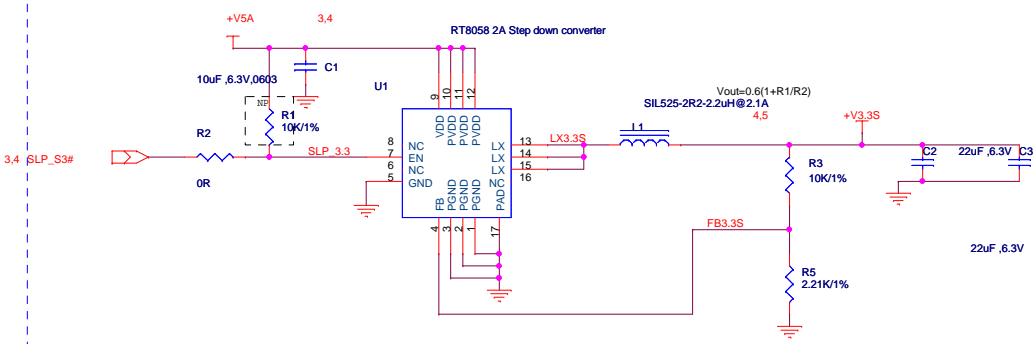


Rev 2.1 for Haswell Board

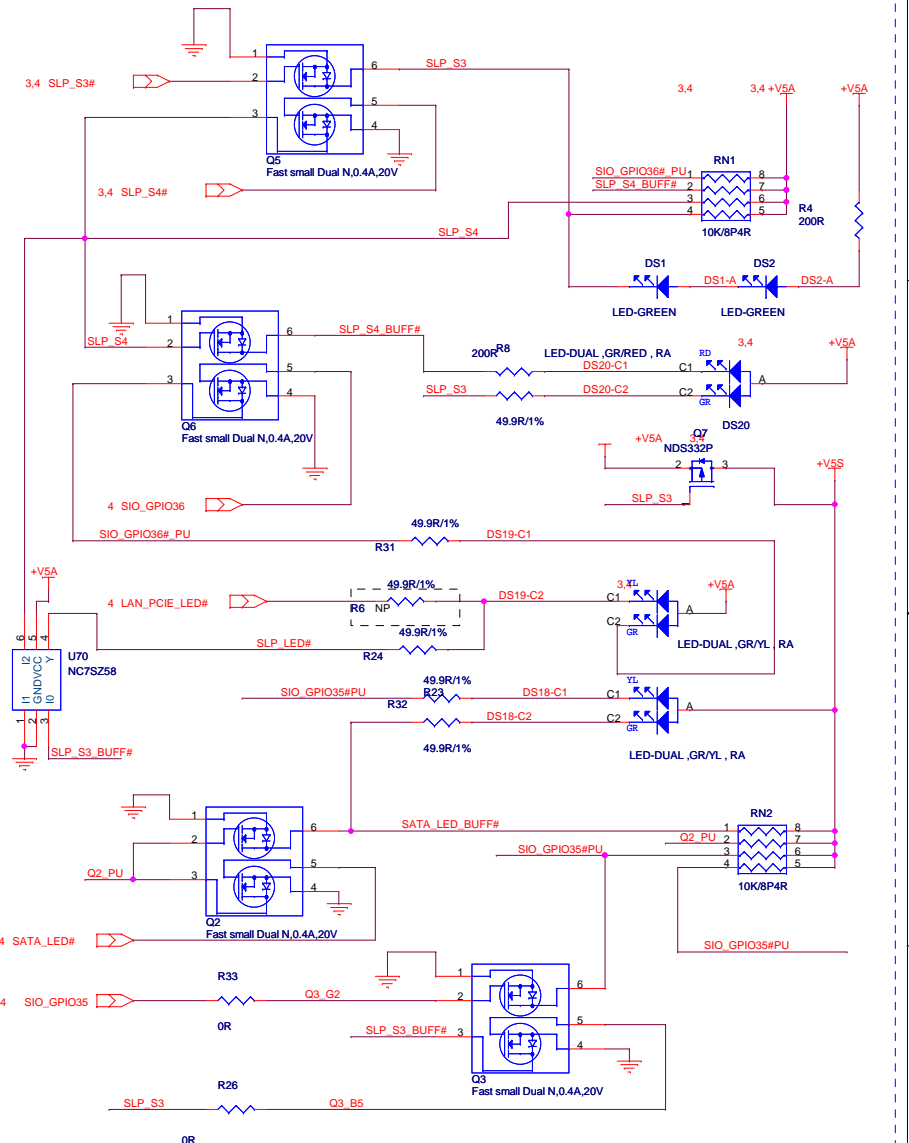
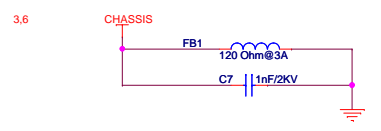
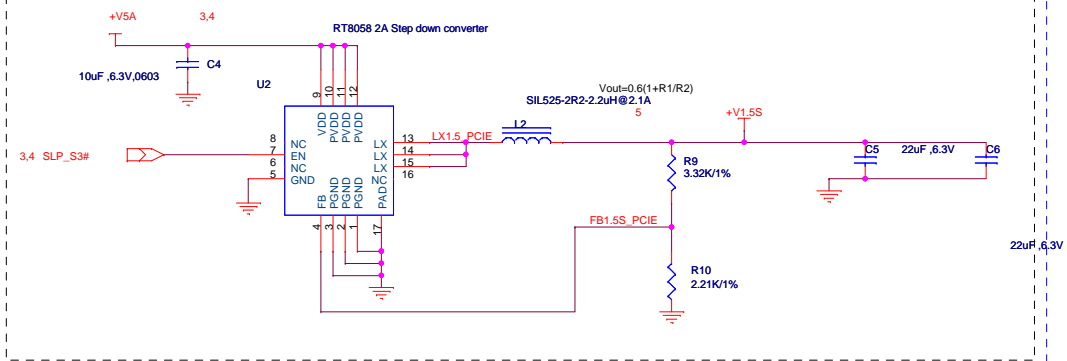


		CompuLab Ltd. (972) 4 8290100 P.O.Box 66 Nesher 36770, Israel All Right reserved. Unauthorized duplication prohibited
Size A	Title POWERS	Rev 1.2
Date: Sunday, December 01, 2013	Document Number: 8001006002	
Sheet 1 of 6		

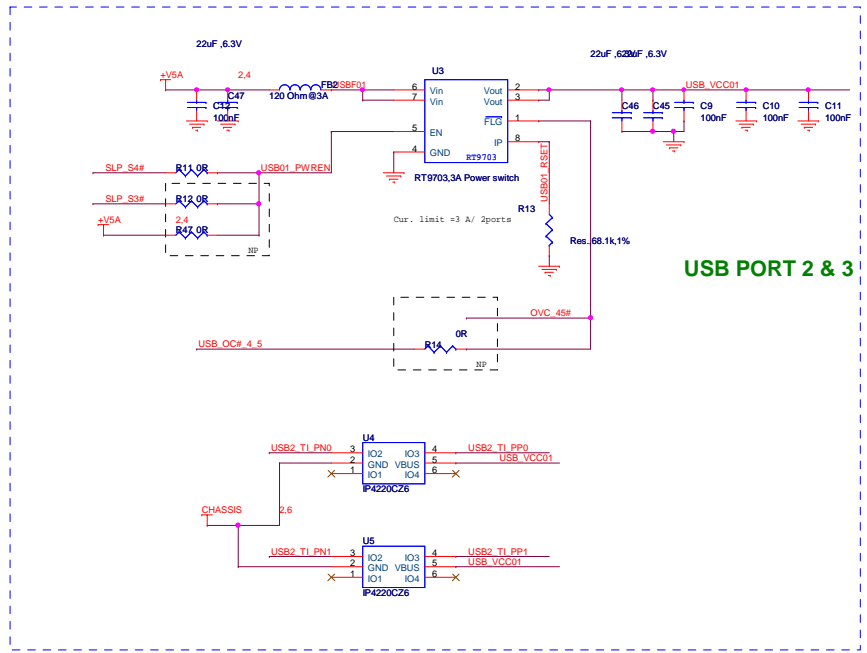
+V3.3S



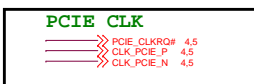
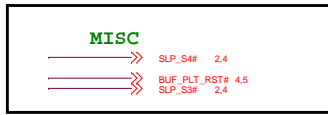
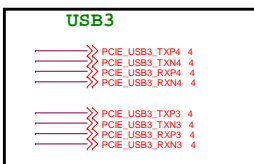
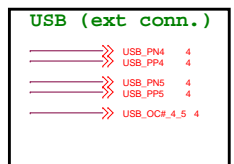
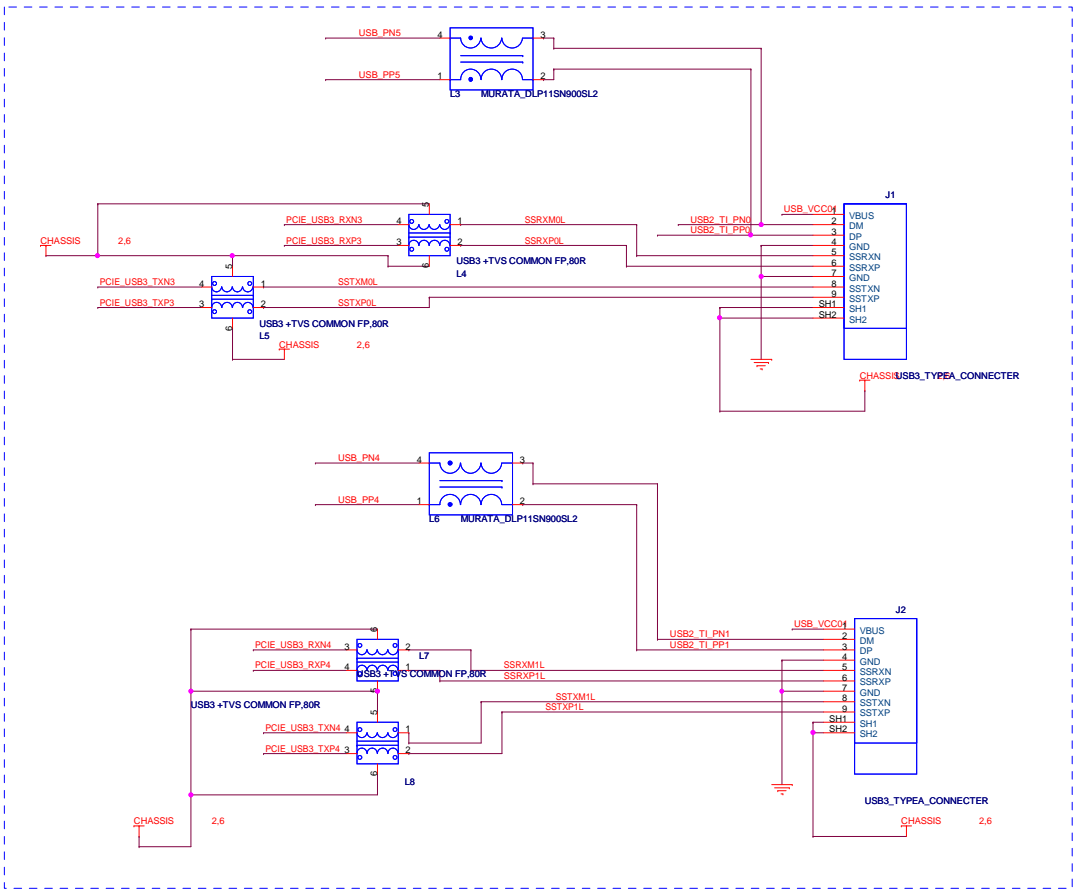
+V1.5S POWER SOURCE MAX 2A



		CompuLab Ltd. (972) 4 8290100 P.O.Box 66 Neshet 36770, Israel All Right reserved. Unauthorized duplication prohibited	
		Title POWERS	Rev 1.2
Size Custom	Document Number 8001006002	Date Sunday, December 01, 2013	Sheet 2 of 6

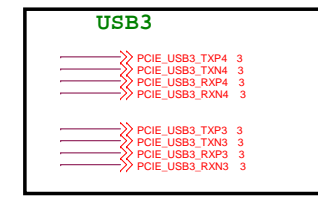
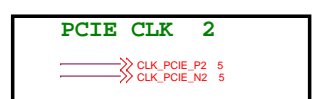
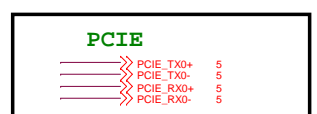
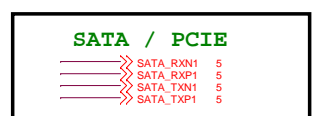
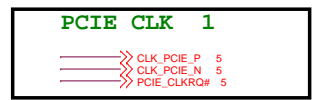
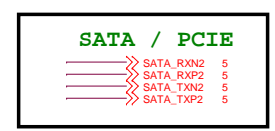
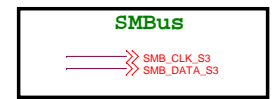
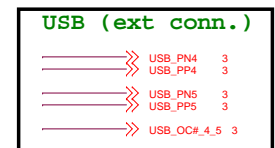
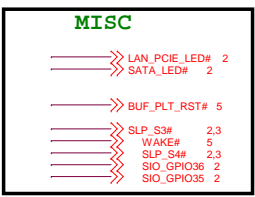
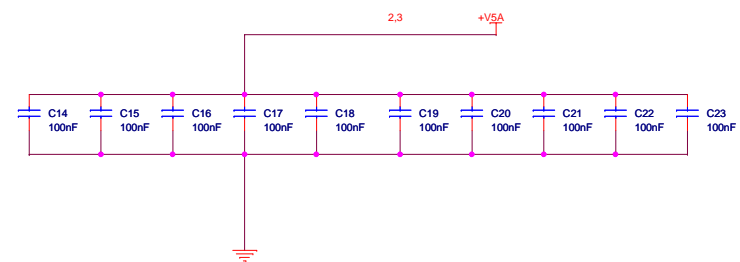
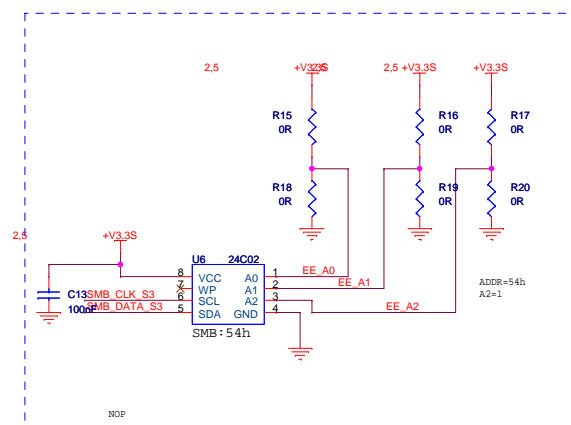
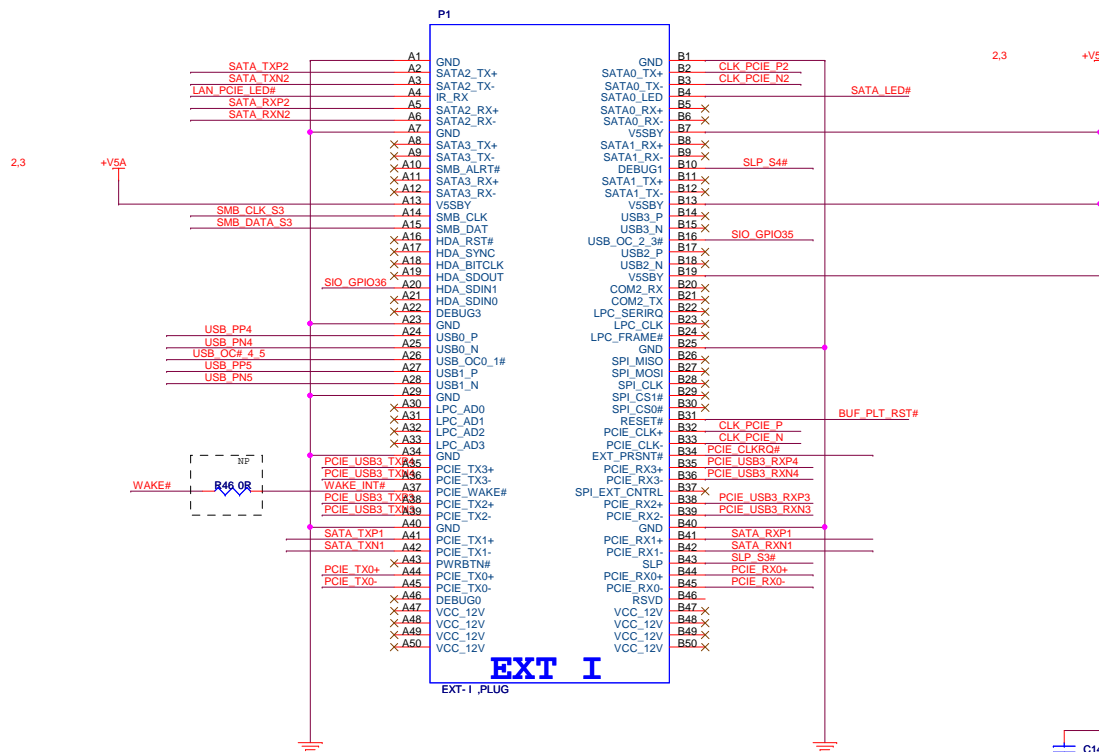


USB PORT 2 & 3



CompuLab Ltd. (972) 4 6290100
P.O. Box 66
Netzer 9770, Israel
All Right reserved.
Unauthorized duplication prohibited.

Size	Title	Document Number	Rev
Custom	USB3 & USB2	8901006002	1.2
Date:	Sunday, December 01, 2013	Sheet	3 of 6

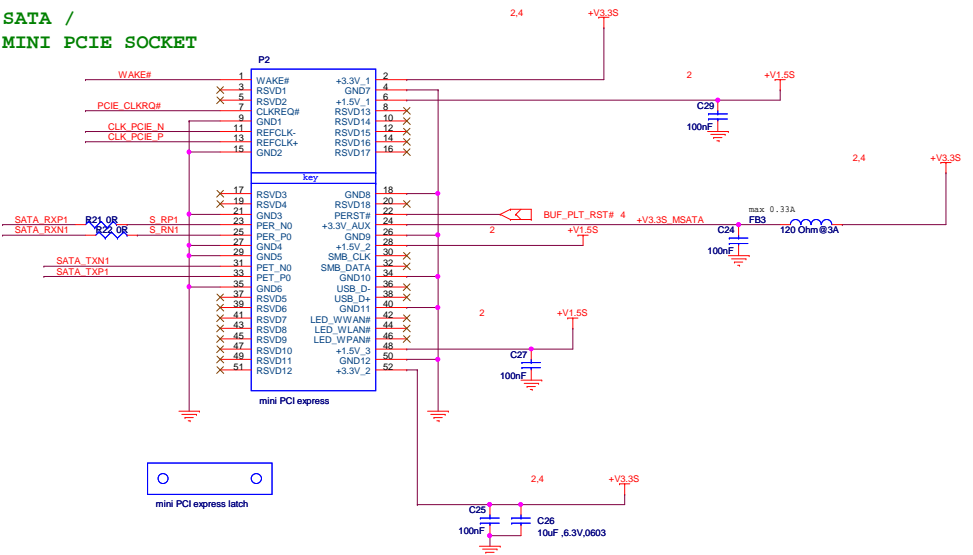
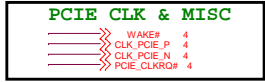
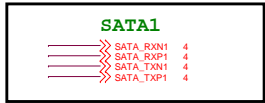


CompuLab

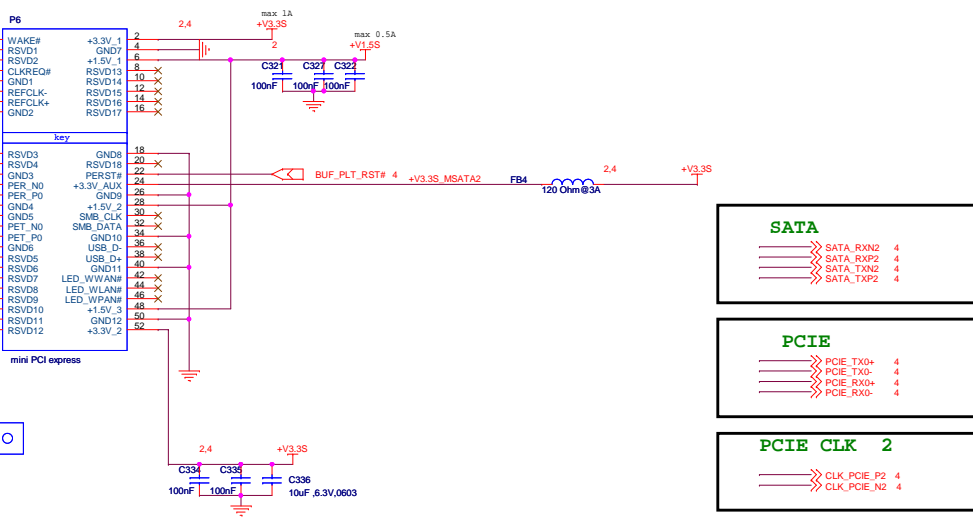
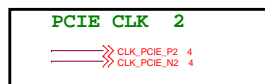
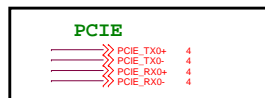
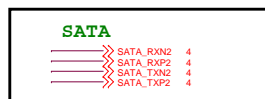
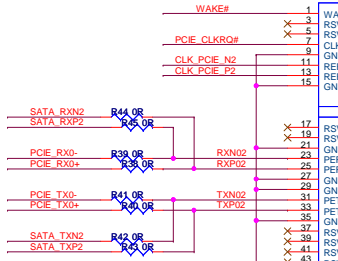
CompuLab Ltd. (972) 4 8290100
 P.O.Box 66
 Neshar 36770, Israel
 All Right reserved.
 Unauthorized duplication prohibited

Size A	Title EXTENSION SLOTS	Rev 1.2
Date: Sunday, December 01, 2013	Document Number: 8001006002	
Sheet 4	of 6	

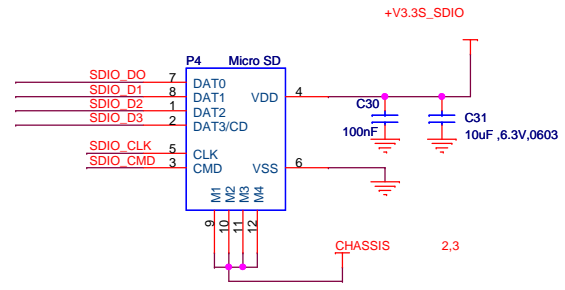
**SATA /
MINI PCIE SOCKET**



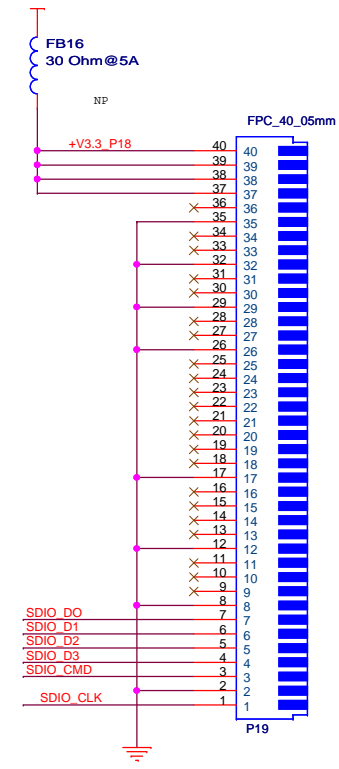
**PCIE2
MINI PCIE SOCKET**




SDIO SOCKET



+V3.3S_SDIO



		CompuLab Ltd. (972) 4 8290100 P.O.Box 66 Nesher 36770, Israel All Right reserved. Unauthorized duplication prohibited	
		Size: Custom Title: DEBUG Document Number: 8001006002 Date: Sunday, December 01, 2013	Rev: 1.2 Sheet 6 of 6