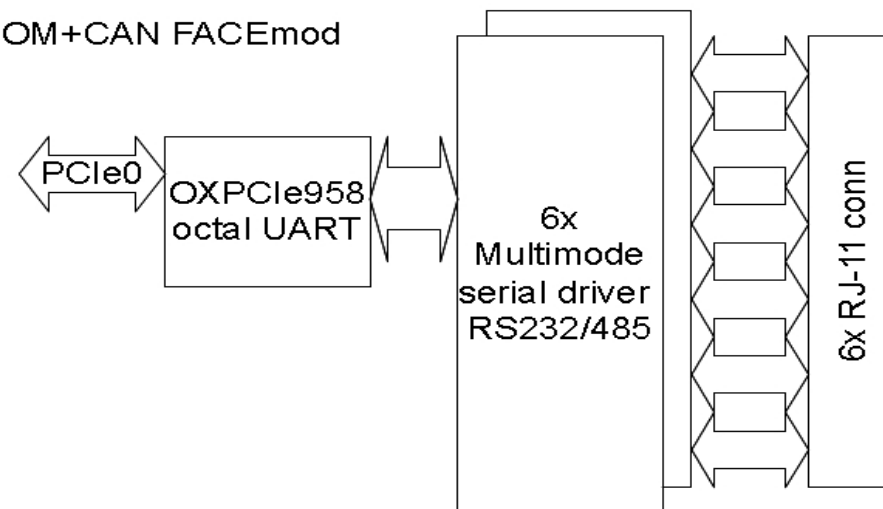


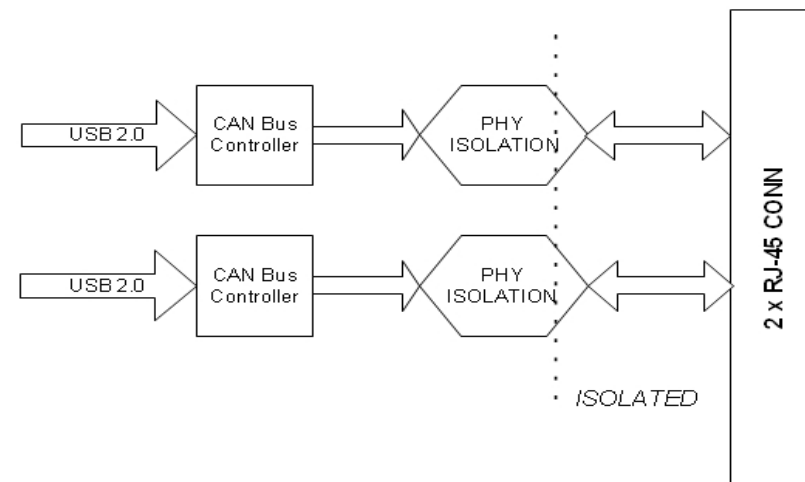
# FM-SER rev 1.1

PAGE	FUNCTION
01	INDEX
02	EXT CONNECTORS
03	COM_PCIE_BRIDGE
04	RS232/RS485 PHY
05	RS232/RS485 PHY
06	CAN-Bus
07	POWER

## COM+CAN FACEmod



**FACE MODULE FOR:  
FITPC-3 & INTENC-PC  
COM x 6  
CANBus x 2**



PCB1

PCB, FM-SER Rev 1.1

ZZ1

PARSER\_VERSION\_1.0

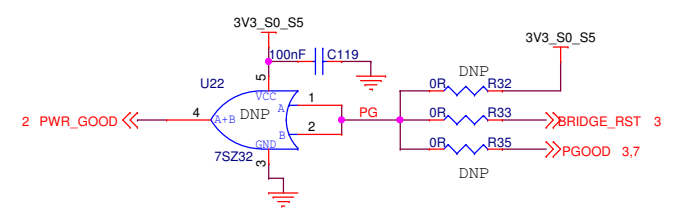
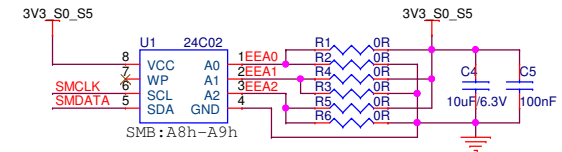
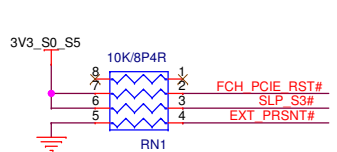
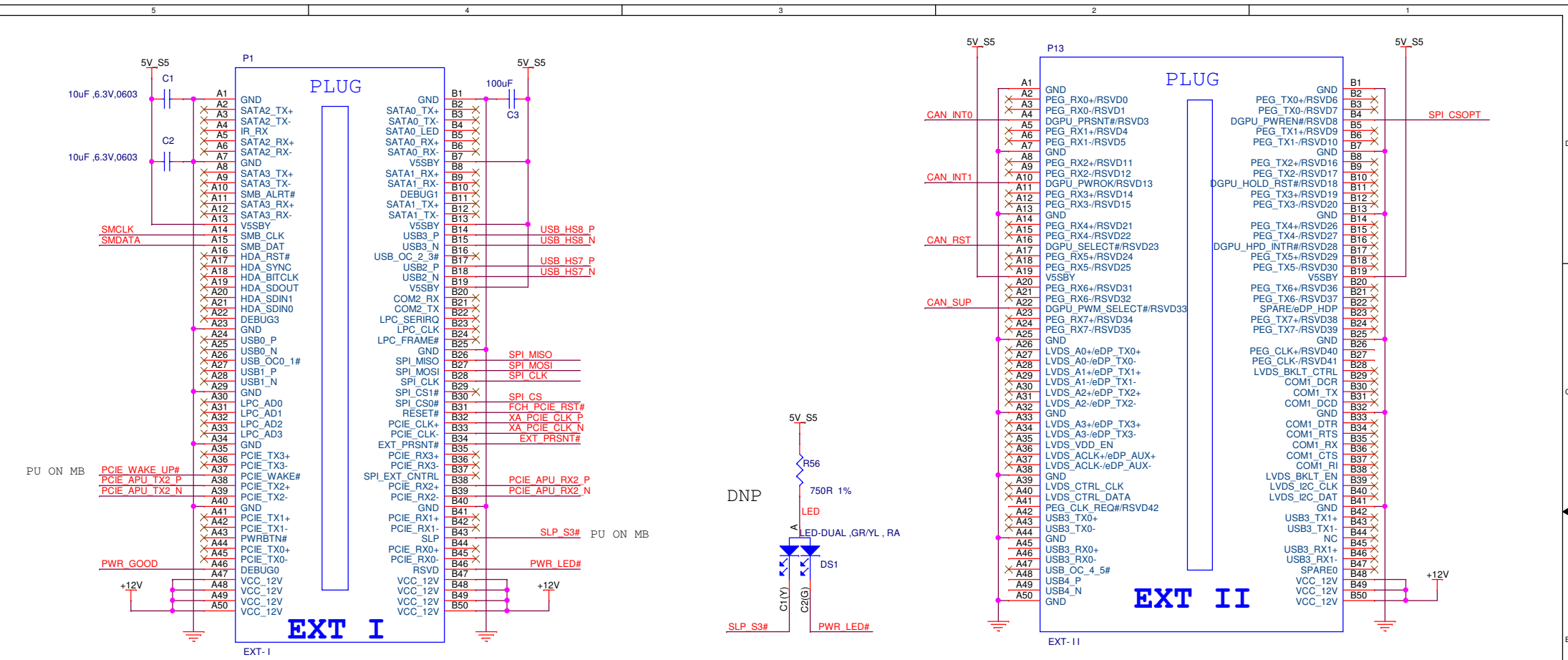
FP1

Front panel fit-PC3 / Intense-PC

Size A	Title FM-SER 01. INDEX	Rev 1.1
Date: Thursday, January 17, 2013	Sheet 1 of 7	



CompuLab Ltd. (972) 4 8222140  
P.O.Box 66  
Nesher 36770, Israel  
All Right reserved.  
Unauthorized duplication prohibited



USB	
6	USB_HS7_P
6	USB_HS7_N
6	USB_HS8_P
6	USB_HS8_N

PCIe	
3	PCIE_APU_RX2_N
3	PCIE_APU_RX2_P
3	PCIE_APU_TX2_N
3	PCIE_APU_TX2_P
3	XA_PCIE_CLK_P
3	XA_PCIE_CLK_N

SYSTEM	
2	PWR_GOOD
7	SLP_S3#
3	PCIE_WAKE_UP#
3	FCH_PCIE_RST#

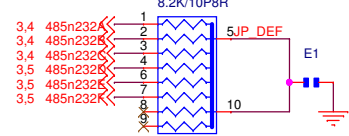
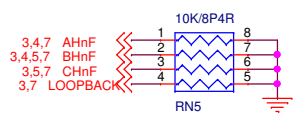
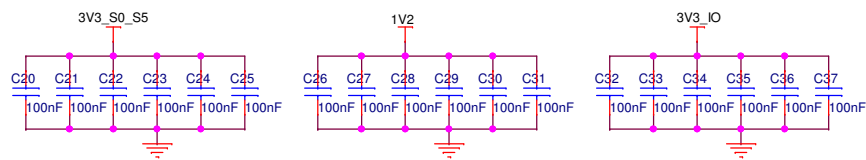
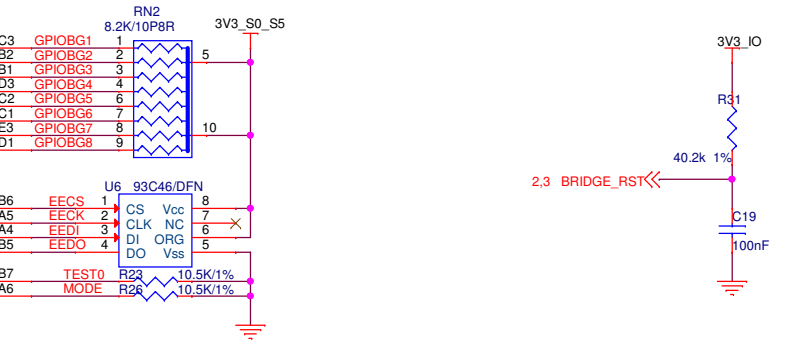
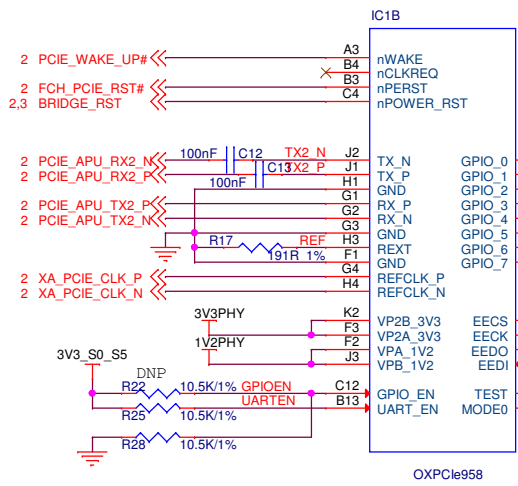
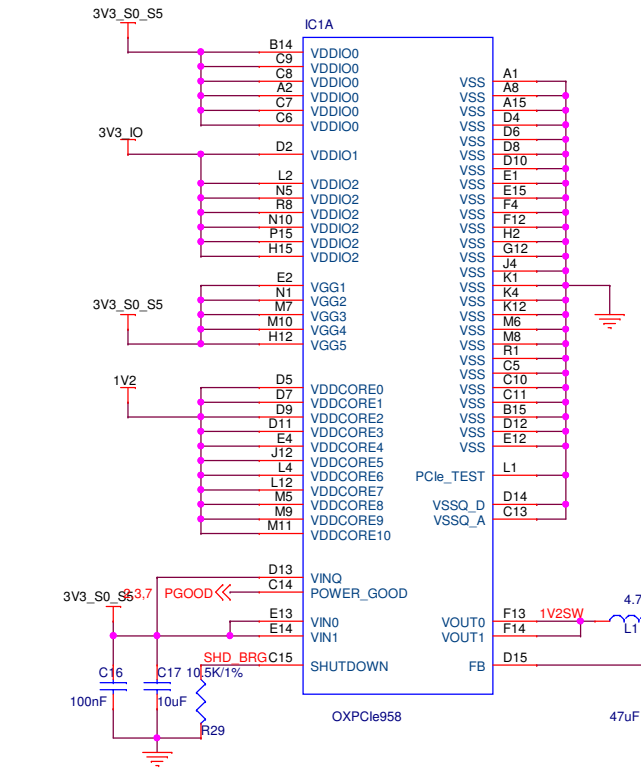
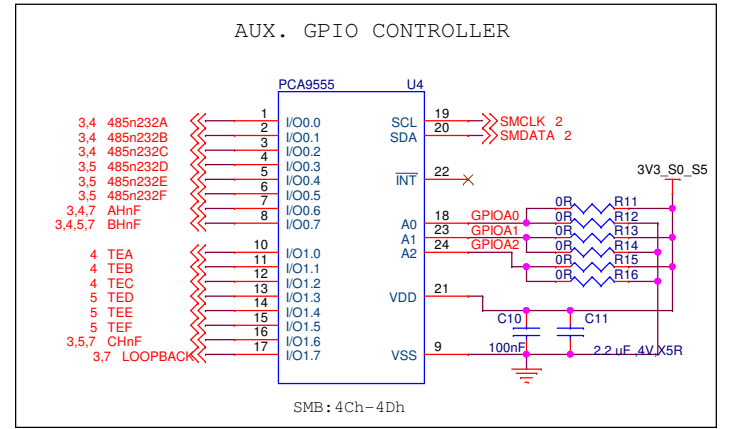
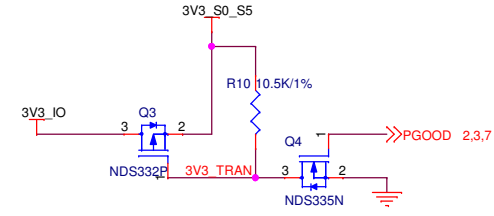
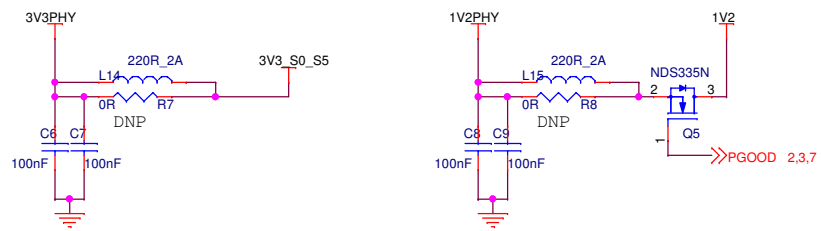
SPI	
6	SPI_CSOPT
6	SPI_CS
6	SPI_MISO
6	SPI_MOSI
6	SPI_CLK

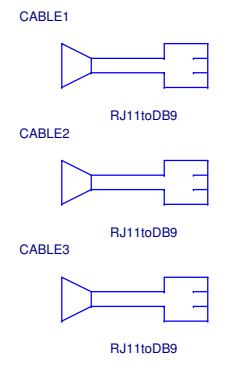
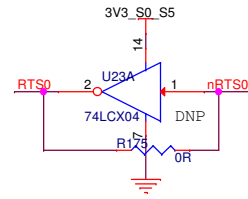
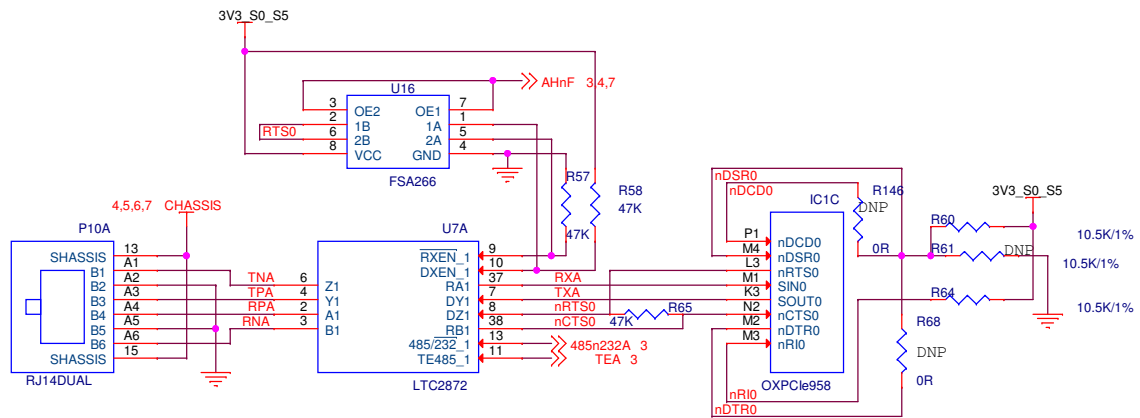
CAN GPIOs	
6	CAN_INT1
6	CAN_INT0
6	CAN_RST
6	CAN_SUP

MSBus	
3	SMCLK
3	SMDATA

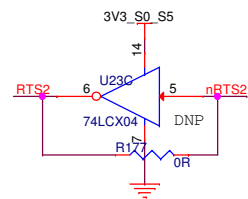
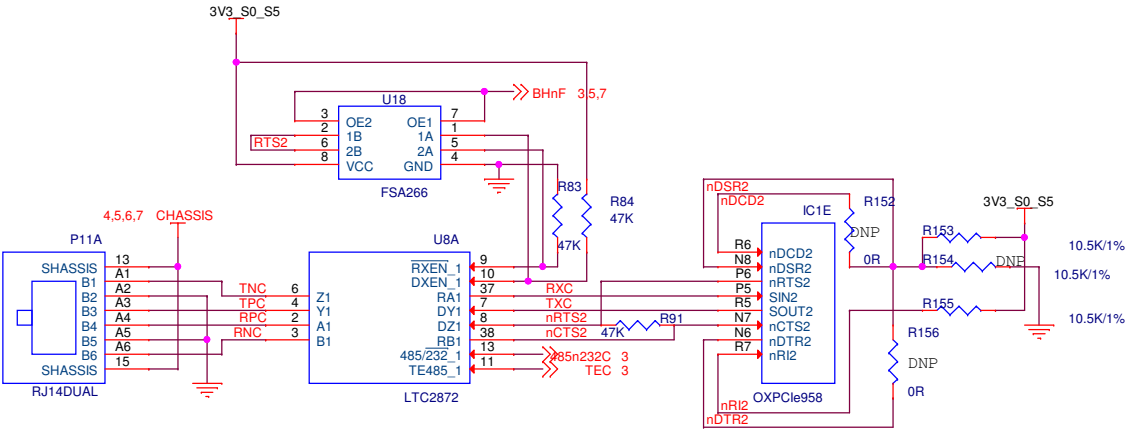
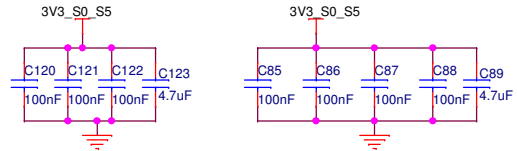
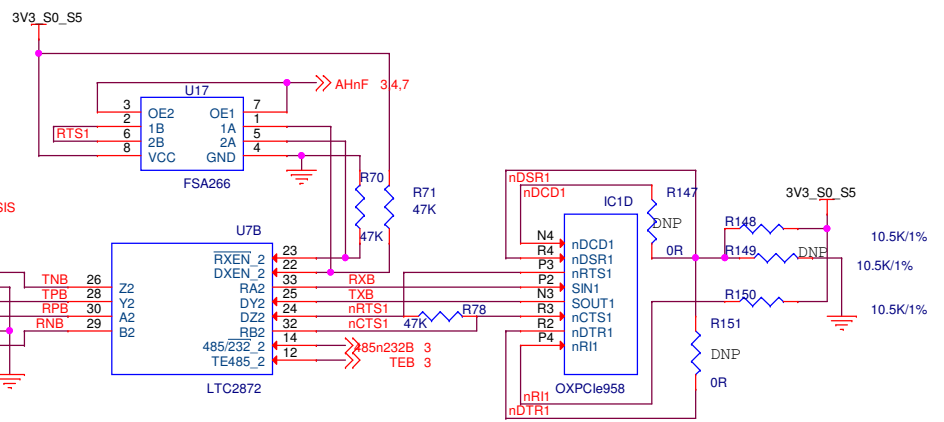
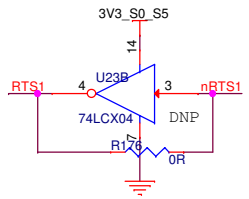
CompuLab Ltd. (972) 4 8222140  
P.O.Box 66  
Nesher 36770, Israel  
All Right reserved.  
Unauthorized duplication prohibited

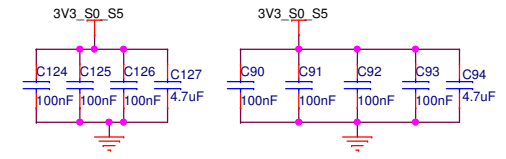
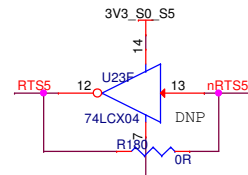
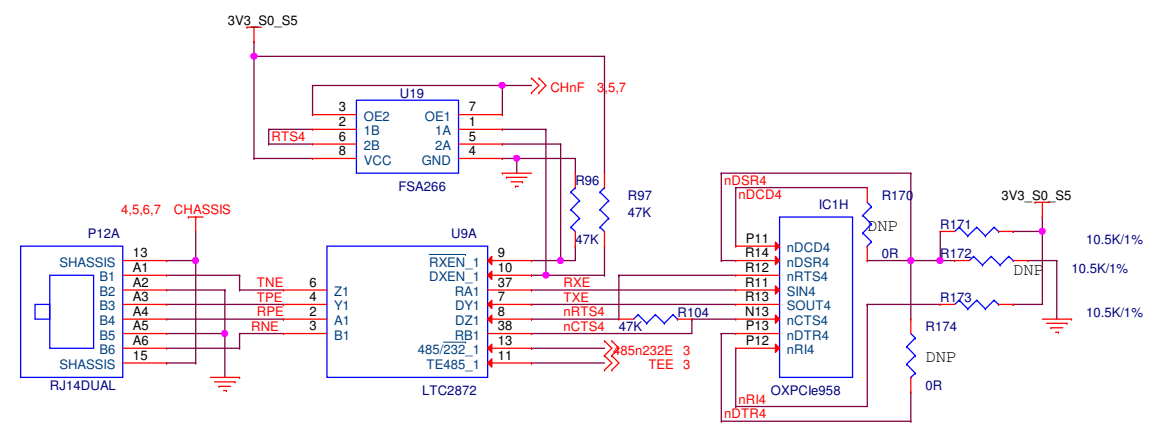
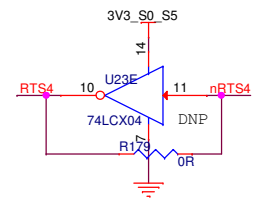
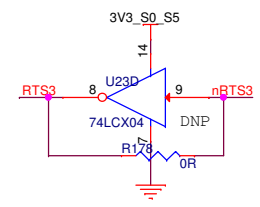
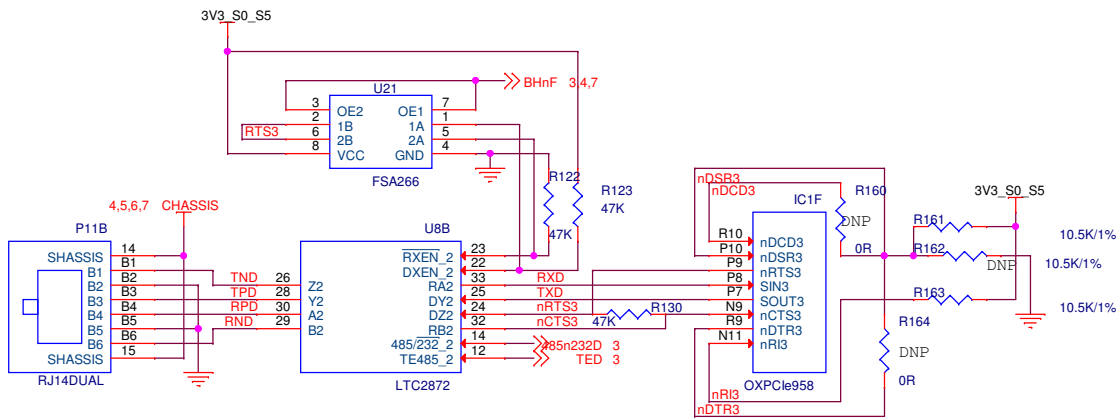
Size B Title FM-SER 02\_EXT\_CONN Rev 1.1  
Document Number: 8000012001  
Date: Thursday, January 17, 2013 Sheet 2 of 7



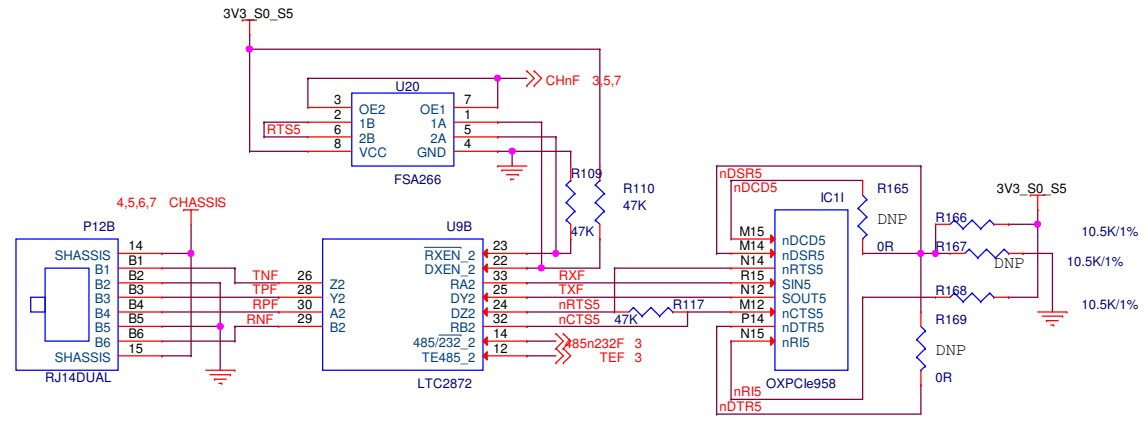


	RS232	RS485	RS422H
TN [A-F]	RTS	TNA	DATA-
TP [A-F]	TX	TPA	DATA+
RP [A-F]	RX	RPA	-
RN [A-F]	CTS	RNA	-

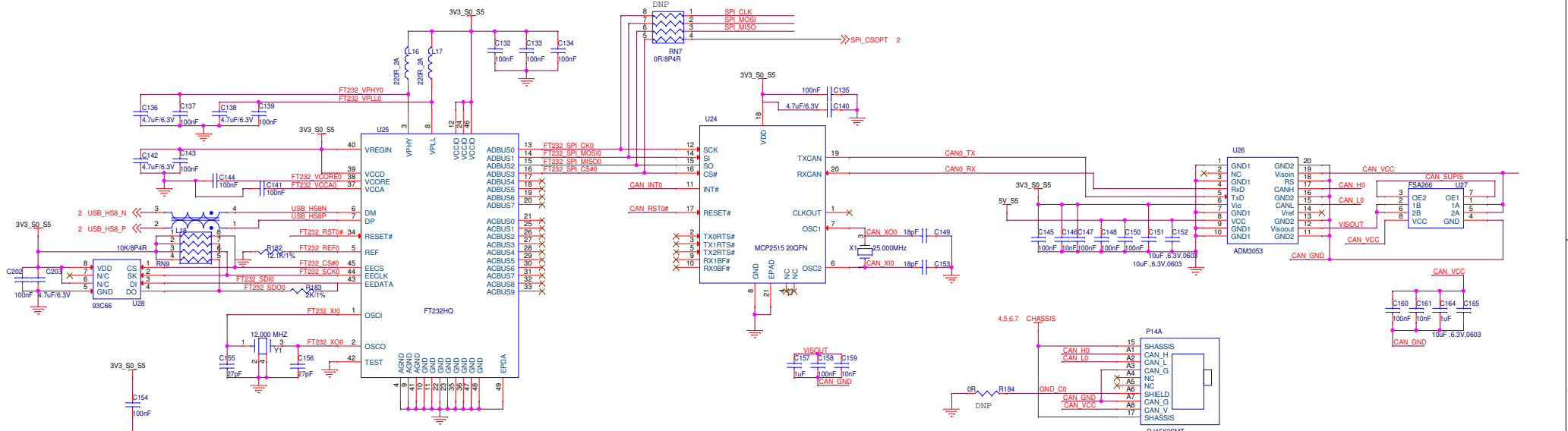




	RS232	RS485	RS422H
TN [A-F]	RTS	TNA	DATA-
TP [A-F]	TX	TPA	DATA+
RP [A-F]	RX	RPA	-
RN [A-F]	CTS	RNA	-



CAN ISOLATION, POWER & PHY



CAN ISOLATION, POWER & PHY

