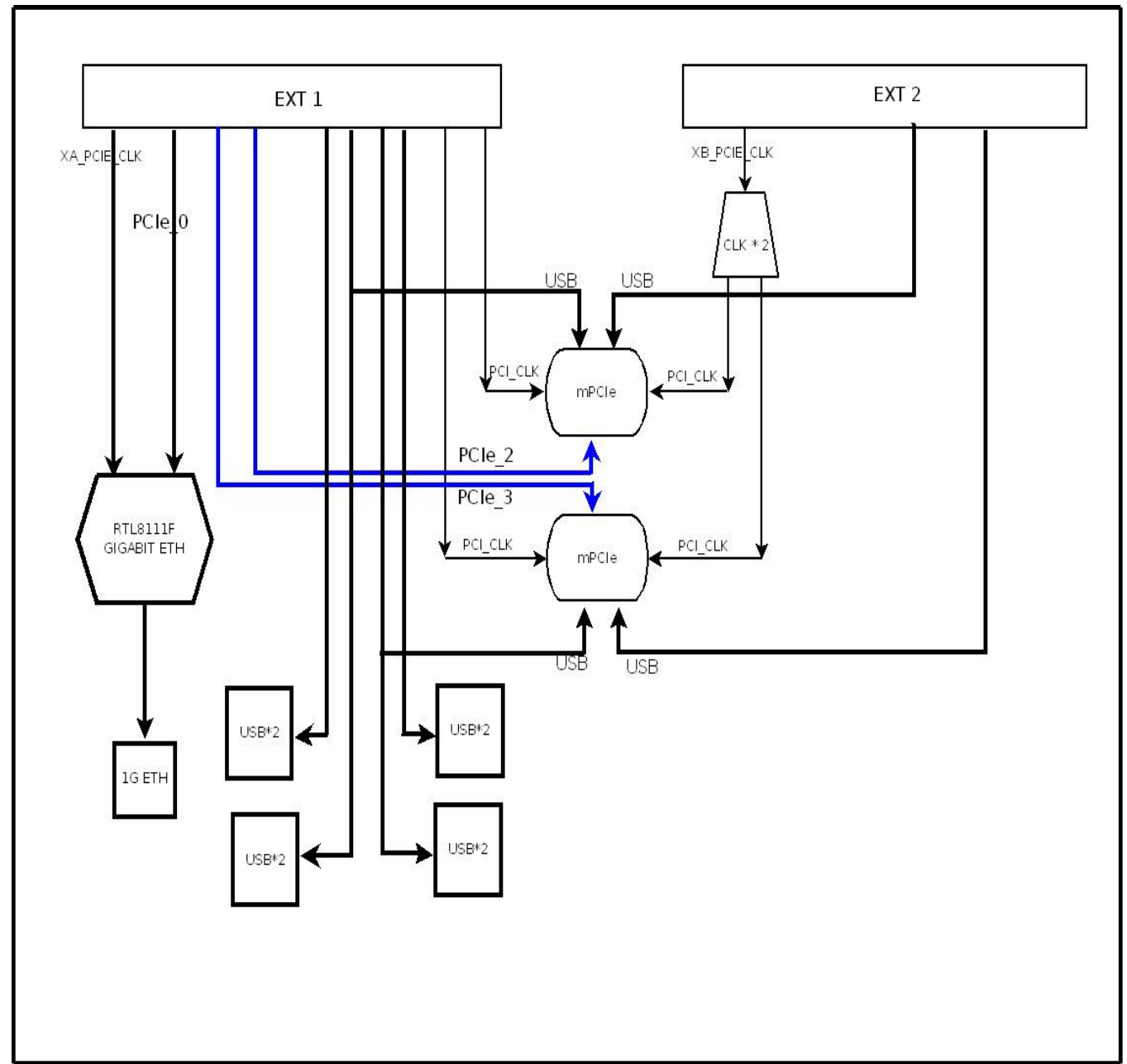



FM-XTD rev 1.1

PAGE	FUNCTION
01	INDEX
02	EXT CONNECTORS
03	ETHERNET
04	miniPCIe
05	USB
06	POWER


FACE MODULE FOR FITPC-3
2 MINI PCIe (HALF/FULL)
4 USB
1 ETHERNET



ZZ1

 PARSER_VERSION_1.0

PCB1

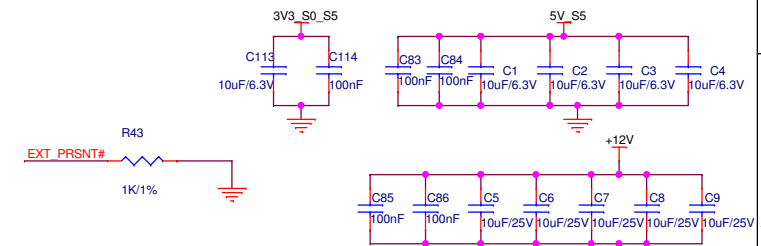
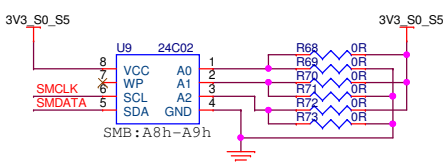
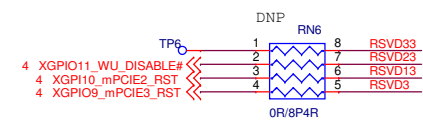
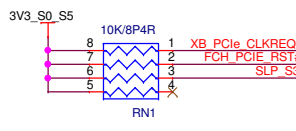
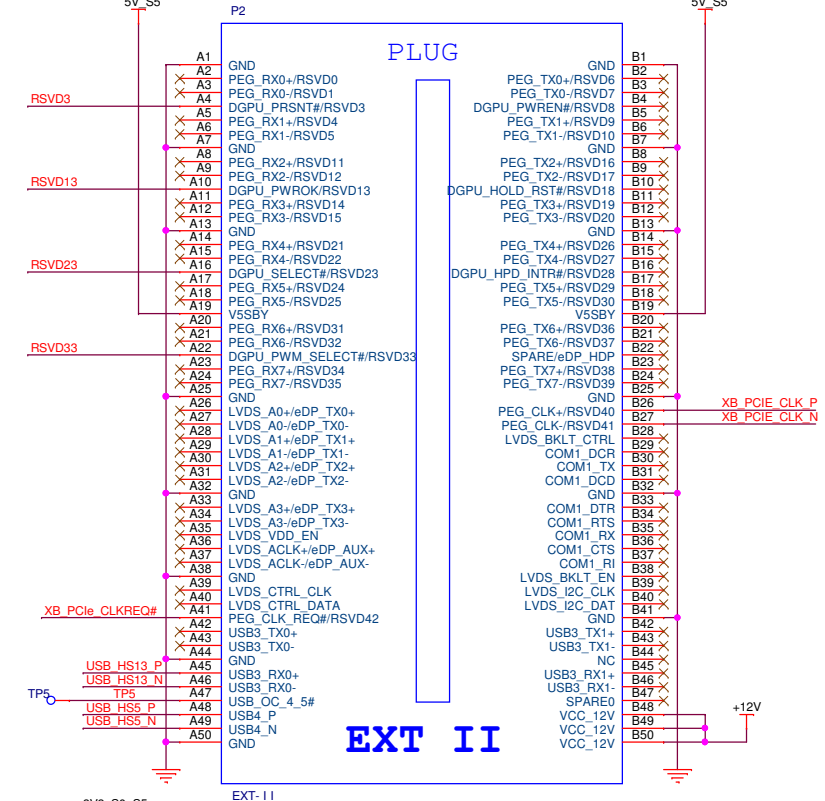
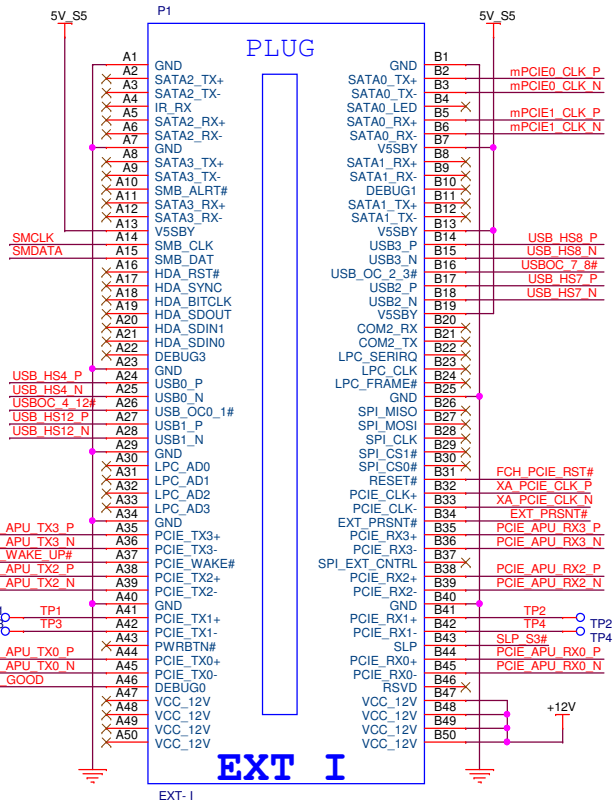
 PCB, FM-XTD Rev 1.1

FP1

 Front panel fit-PC3 / Intense-PC



CompuLab Ltd. (972) 4 8290100
 P.O. Box 66
 Nesher 36770, Israel
 All Right reserved.
 Unauthorized duplication prohibited

Size A	Title FM-TXD 01. INDEX	Rev 1.1
Date: Wednesday, April 25, 2012		Document Number: 8000009001
Sheet 1 of 6		



USB	
5	USB_HS7_P
5	USB_HS7_N
5	USB_HS8_P
5	USB_HS8_N
4	USB_HS13_P
4	USB_HS13_N
4	USB_HS5_P
4	USB_HS5_N
5	USB_HS4_P
5	USB_HS4_N
5	USB_HS12_P
5	USB_HS12_N

PCIe					
CLOCK	TRANSMIT	RESEIVE			
3	mPCIe0_CLK_P	4	PCIE_APU_TX3_P	4	PCIE_APU_RX3_P
3	mPCIe0_CLK_N	4	PCIE_APU_TX3_N	4	PCIE_APU_RX3_N
3	mPCIe1_CLK_P	4	PCIE_APU_TX2_P	4	PCIE_APU_RX2_P
3	mPCIe1_CLK_N	4	PCIE_APU_TX2_N	4	PCIE_APU_RX2_N
3	XA_PCIE_CLK_P	3	PCIE_APU_TX0_P	3	PCIE_APU_RX0_P
3	XA_PCIE_CLK_N	3	PCIE_APU_TX0_N	3	PCIE_APU_RX0_N
3	XB_PCIE_CLK_P				
3	XB_PCIE_CLK_N				

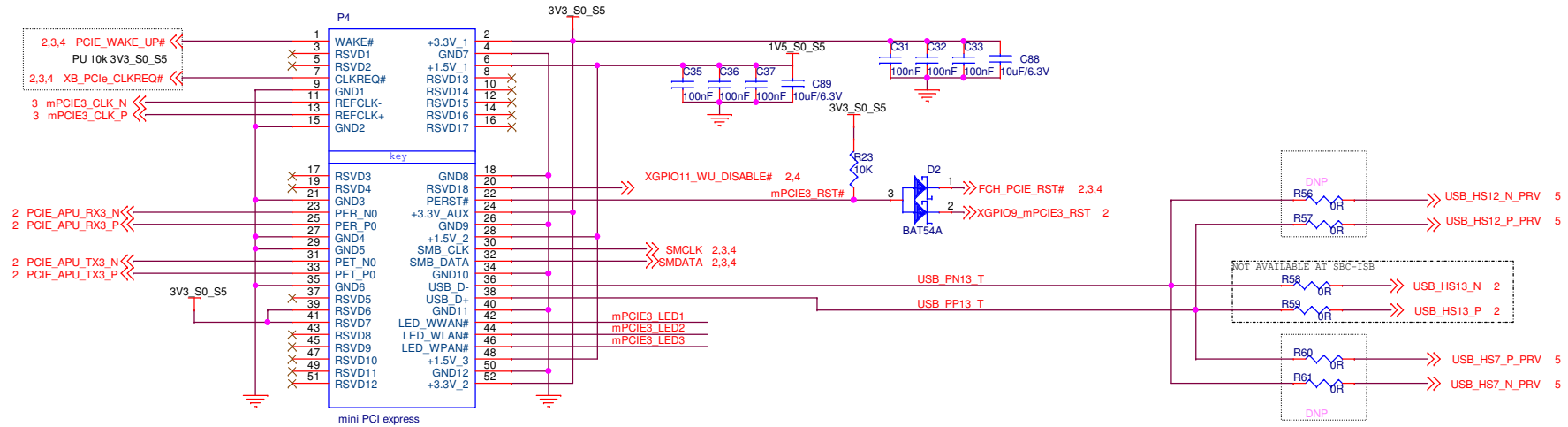
SYSTEM	
6	PWR_GOOD
5,6	SLP_S3#
3,4	PCIE_WAKE_UP#
3,4	FCH_PCIE_RST#
3,4	XB_PCIE_CLKREQ#

MSBus	
3,4	SMCLK
3,4	SMDATA

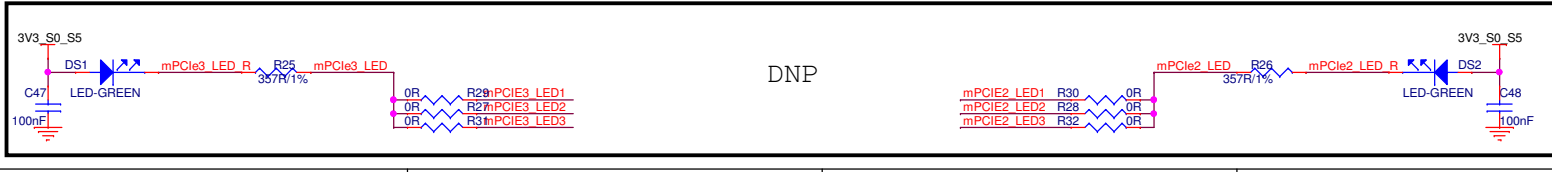
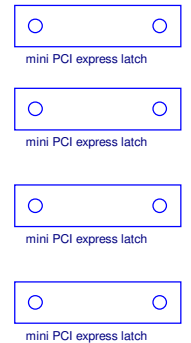
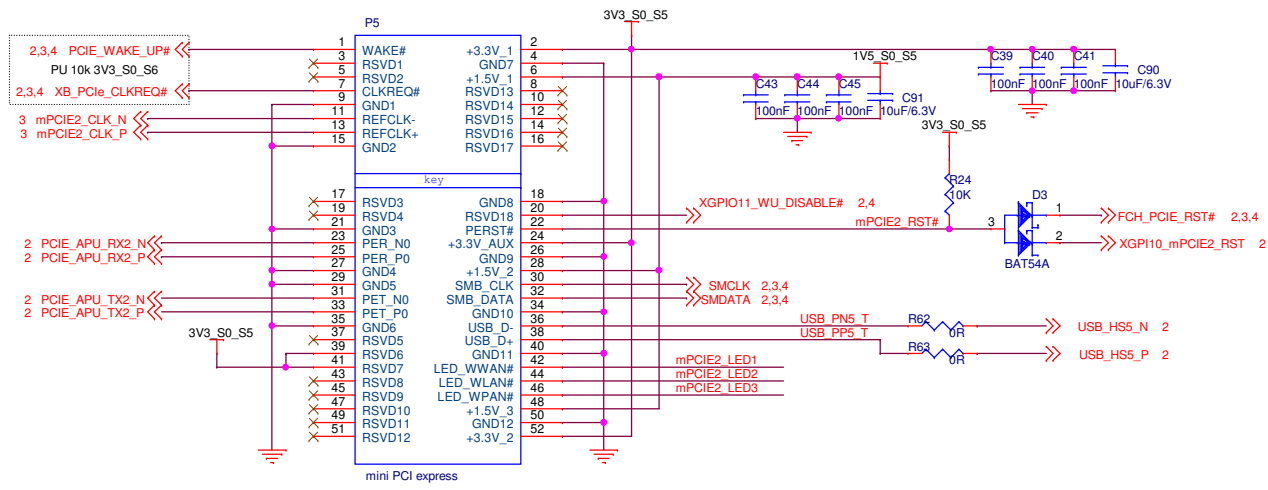
CompuLab Ltd., (972) 4 8290100
P.O.Box 66
Nesher 36770, Israel
All Right reserved.
Unauthorized duplication prohibited

Size B Title FM-TXD 02. EXT CONNECTORS Rev 1.1
Document Number: 8000009001
Date: Wednesday, April 25, 2012 Sheet 2 of 6

MINI PCIE #3 SOCKET (Half/Full)

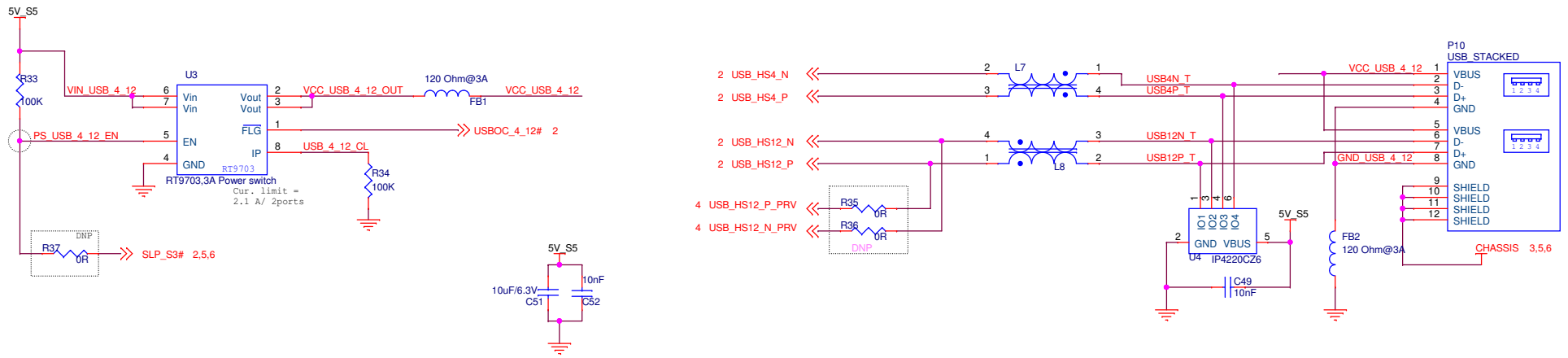


MINI PCIE #2 SOCKET (Half/Full)

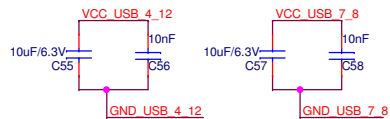
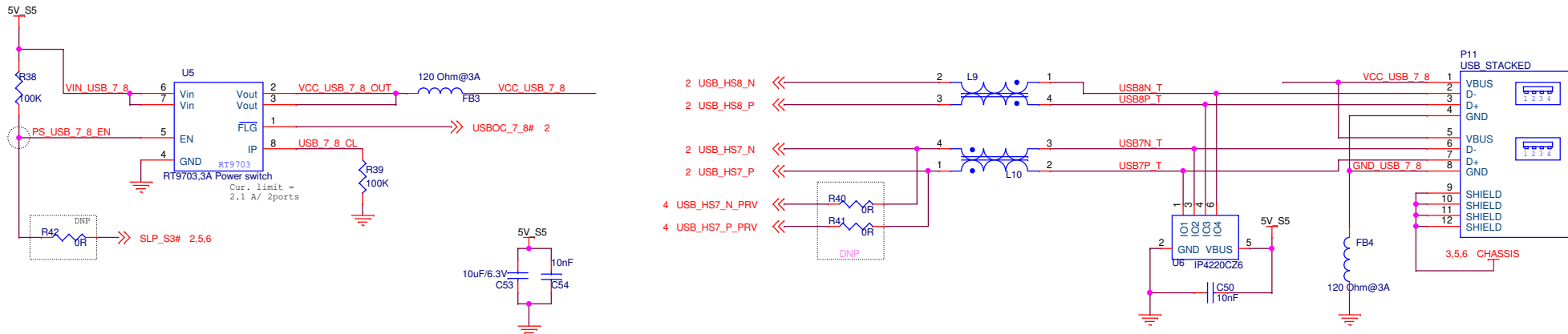


		CompuLab Ltd. (972) 4 8290100	
		P.O.Box 66 Nesher 36770, Israel All Right reserved. Unauthorized duplication prohibited	
Size B	Title	Document Number:	Rev
	FM-TXD 04. MINI_PCIE	8000009001	1.1
Date:	Wednesday, April 25, 2012	Sheet	4 of 6

USB PORT 4/12

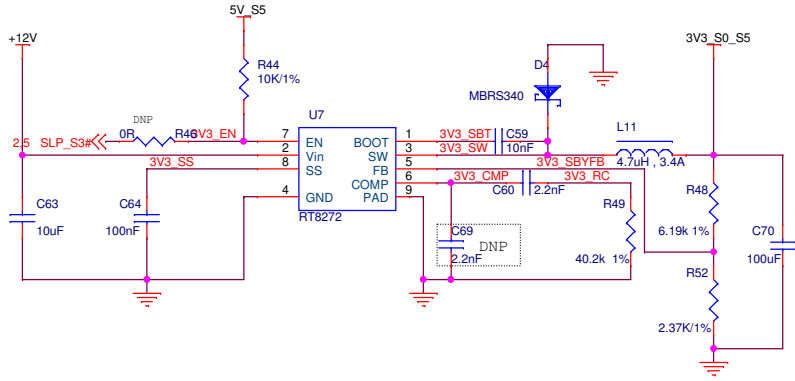


USB PORT 7/8

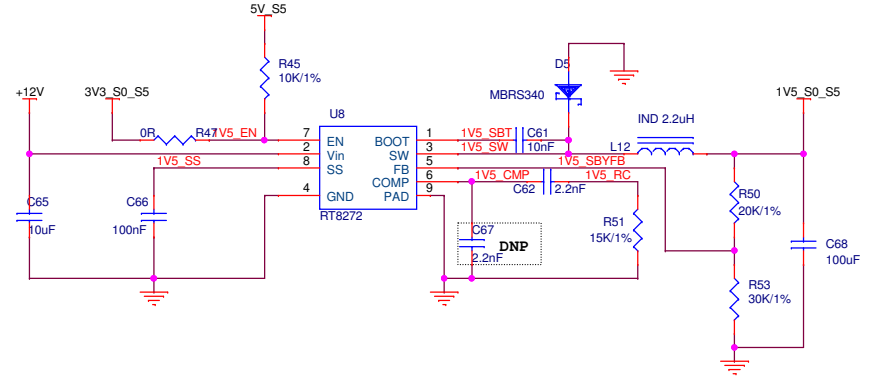


	CompuLab Ltd. (972) 4 8290100 P.O.Box 66 Nesher 36770, Israel All Right reserved. Unauthorized duplication prohibited	
	Title FM-TXD 05. USB Document Number: 8000009001 Date: Wednesday, April 25, 2012	Sheet 5 of 6 Rev 1.1

3V3_S0_S5 (3.3V, 3A)

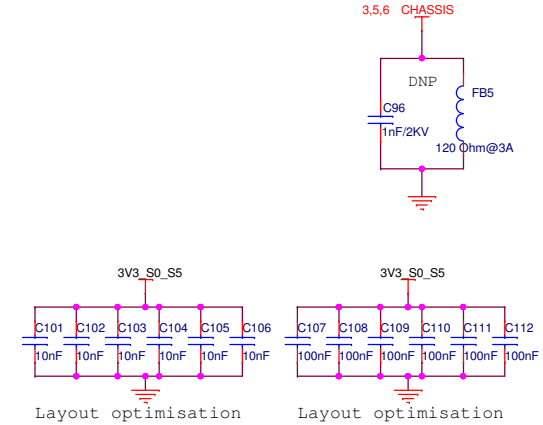
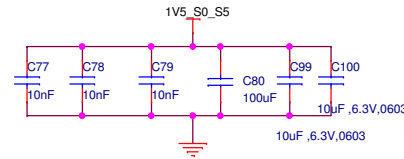
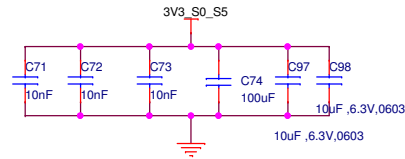
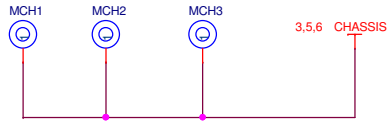
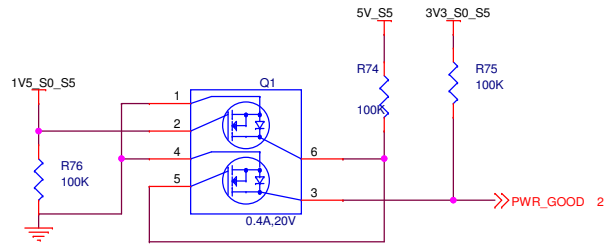


1V5_S0_S5 (1.5V, 3A)



POWER GOOD

DNP



CompuLab Ltd. (972) 4 8290100
 P.O.Box 66
 Nesher 36770, Israel
 All Right reserved.
 Unauthorized duplication prohibited

Size B	Title FM-TXD 06. POWER	Rev 1.1
Date: Wednesday, April 25, 2012	Document Number: 8000009001	
	Sheet 6 of 6	